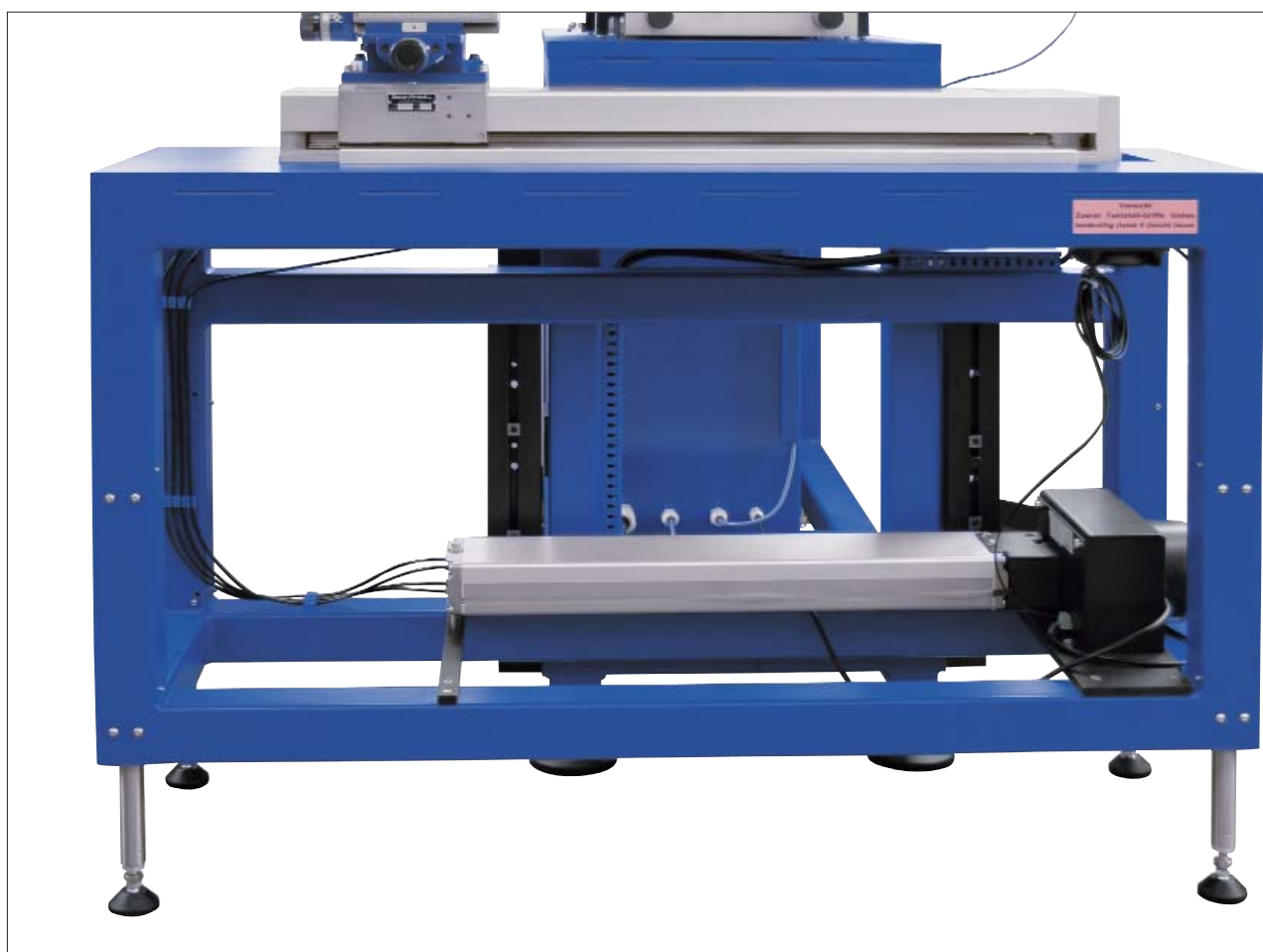


Height Adjustable Peripheral Stand



Height Adjustable Peripheral Stand

MECHANICAL ACCESSORIES

 **Teca-Print**
 **Teca-Print**

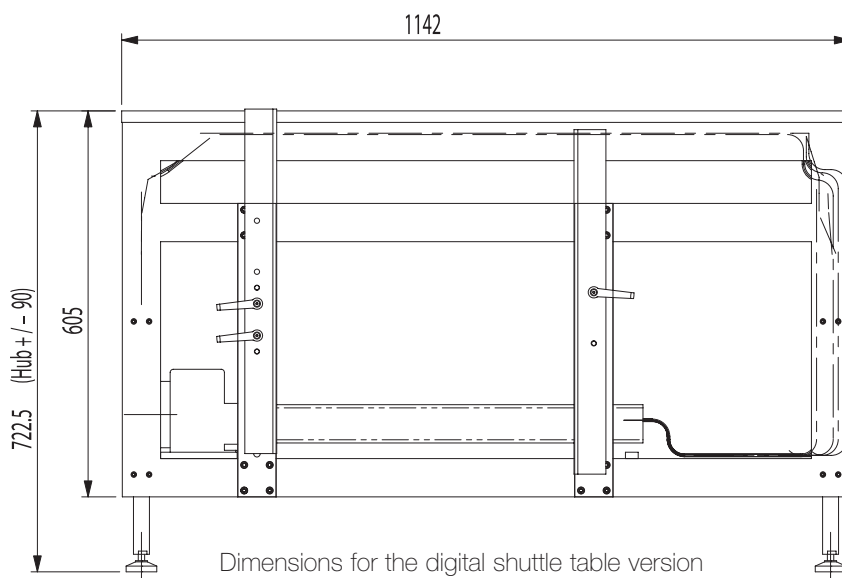
Applications:

As an option to Teca-Print's Serie X5 pad printing machines, the height adjustable peripheral stand enables the operator to correct the height of the periphery device or coordinate table. The working height for the ink deposit over the printed parts, regardless of the size of the part, fixture or peripheral device can now be corrected in only a few seconds.



Product Information:

The height adjustable peripheral stand is driven by a closed hydraulic system via a pump, motor and four hydraulic cylinders. The cylinders can be variably adjusted as desired up to 180 mm and the movements are carried out by the touch of a button on the control box. The capacity of the hydraulic system is approx. 600 kg total, but no exertion is required on the part of the operator. Stainless steel versions provide a valuable option for the food industry. The height adjustable peripheral stand is available in various sizes to fit the required peripheral device or coordinate table.



You can find more information about our height adjustable peripheral stand on our website:



Teca-Print

Teca-Print AG

Tel. +41 (0)52 645 2000

Postfach
Bohlstrasse 17
CH-8240 Thayngen

Fax +41 (0)52 645 2102
info@teca-print.com
teca-print.com